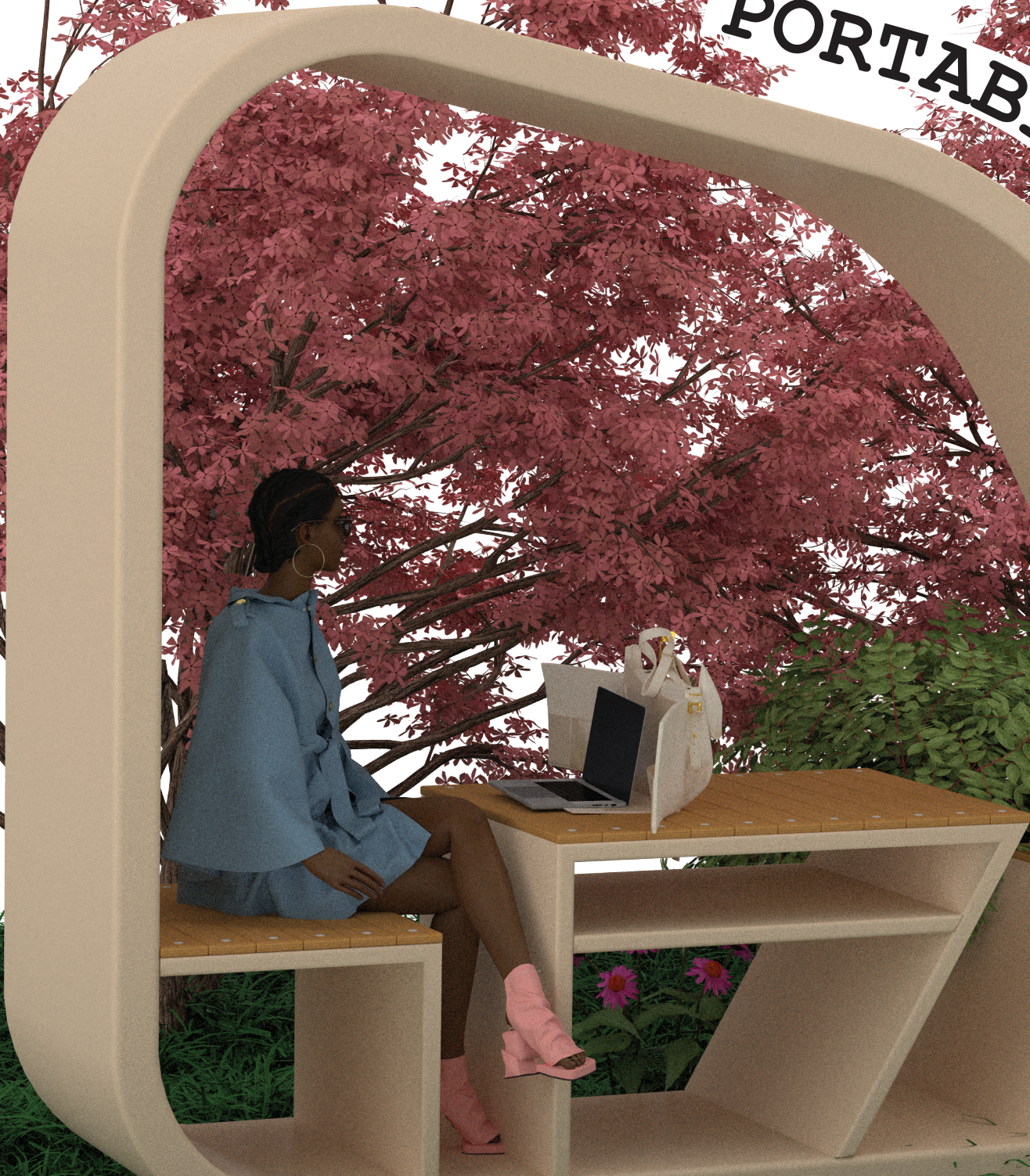




PORTABLE OFFICE



Portable office bag was created with idea of all people who would like to spend more time in parks, but they laptops won't allow them. This bag does not just offer comfortable organizer for your work whenever you go outside, but thanks to solar panels you can stay working outside whole day long, and you never run out of battery.

project by Anežka Nováčková
(062801) for Prada Contest





A set of bags with an in-built solar panel installed that charges while children walk to and from school which transforms into a source light that the children to study once its dark.



Solar panels on bag, is order to be able to work whole day long without running of battery + use of clean energy.

INSPIRATION



People working outside in the nature.

Handle details applied on bag.



Portable office/studying room -> place for computer + for pencils, notes, etc...



Opening of portable office of the back of the bag by both side zipper.





MATERIALS

Calf leather

Recycled nylon lining

COLORS

Calf leather and recycled nylon lining



Top stitching

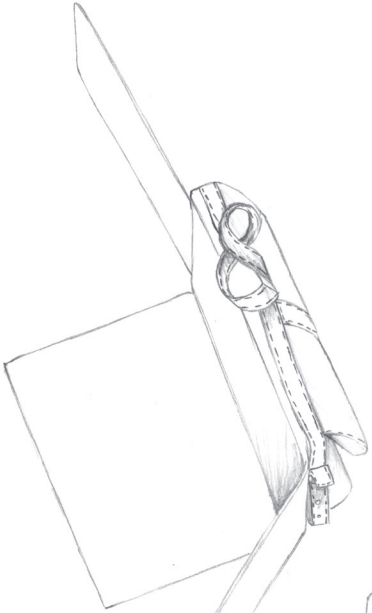


Hardware - gold

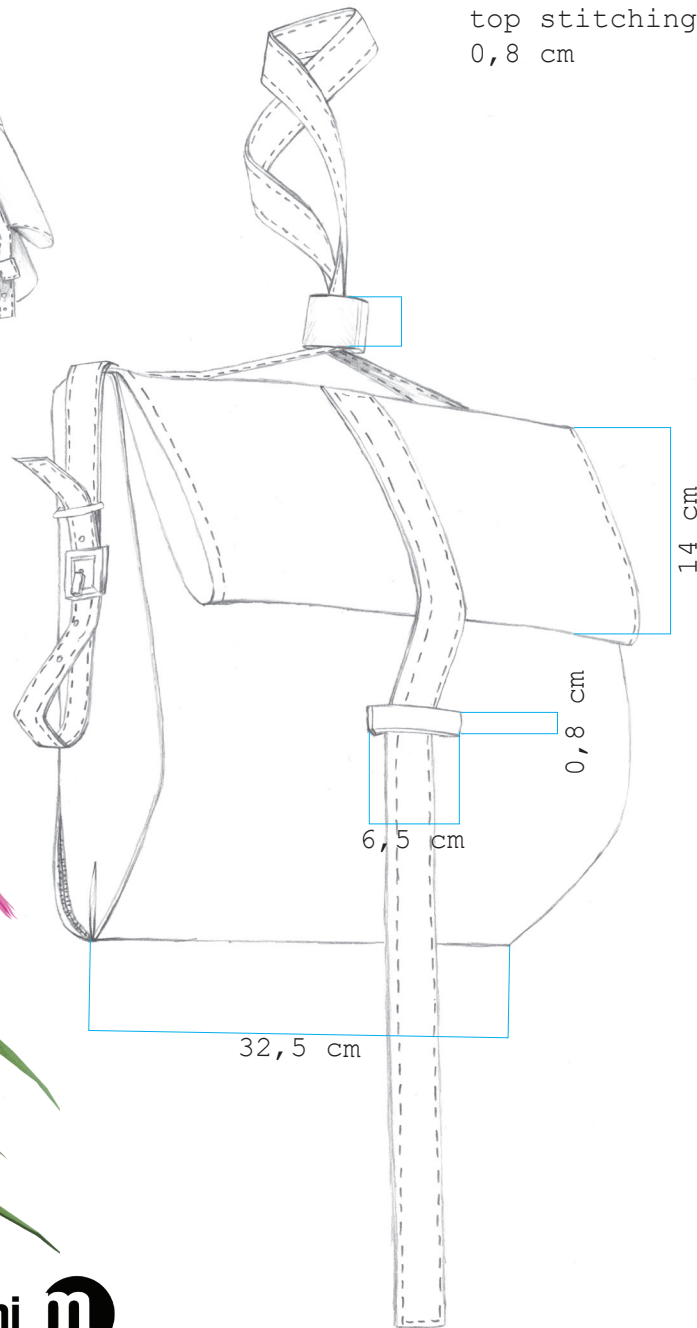


ILLUSTRATION

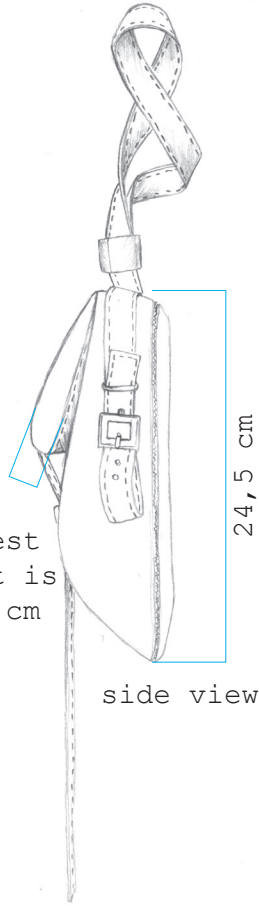




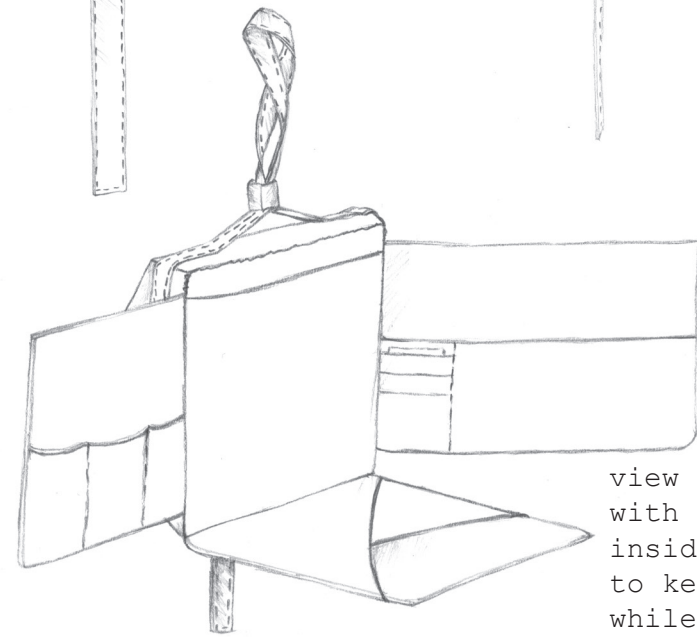
top stitching is long
0,8 cm



the
widest
part is
1,7 cm

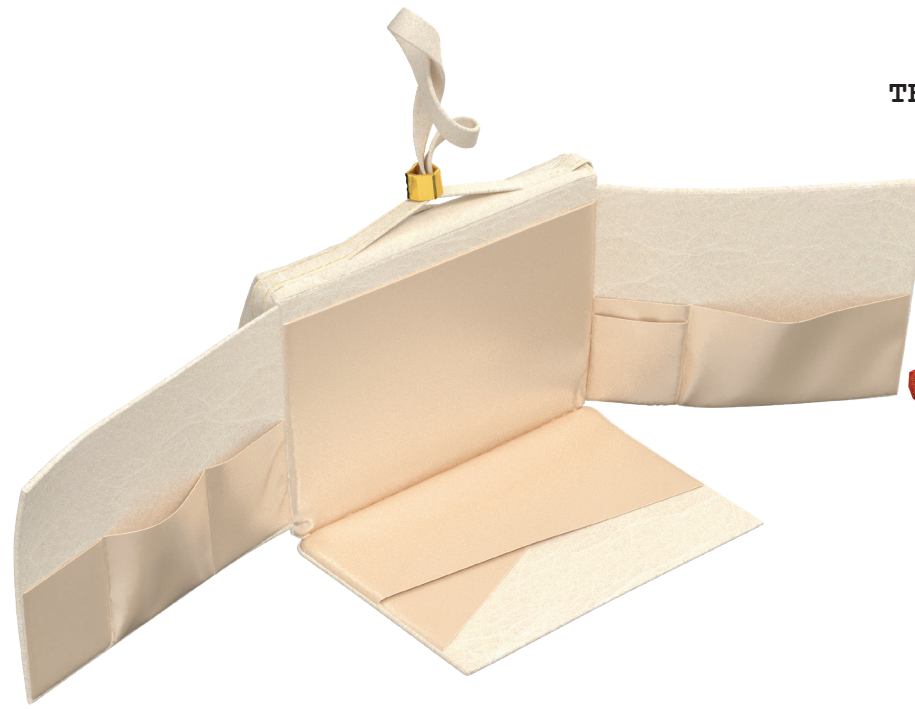


side view



view on the open bag
with all the pockets
inside of portable office
to keep you comfortable
while working





in the opening is pocket
closed on zipper for
important things



inside view